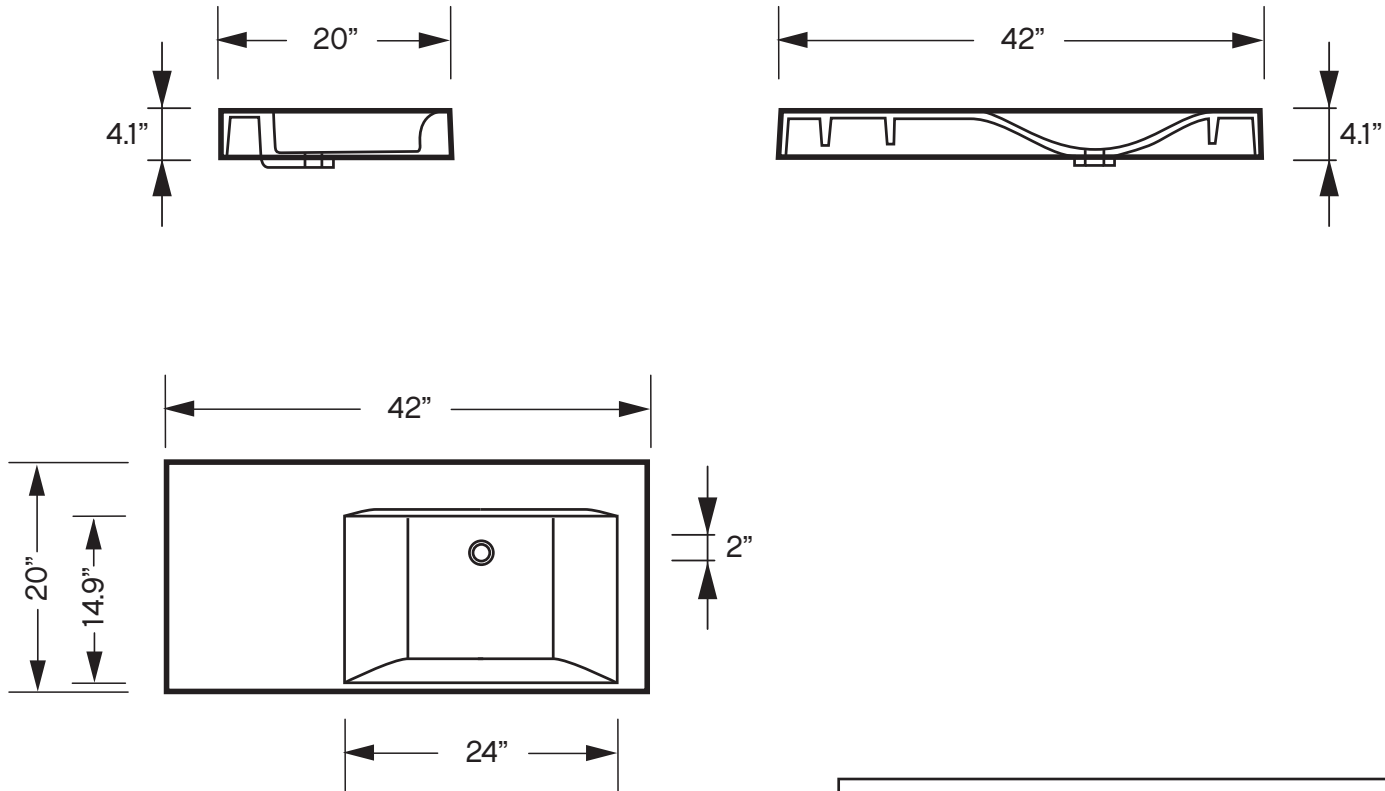


CLARKE

ARCHITECTURAL



DUNE LAVATORY

LENGTH	42"	CAPACITY	N/A
WIDTH	20"	DRAIN	Center
HEIGHT	4.1"	MODEL #	CA4220LA-01